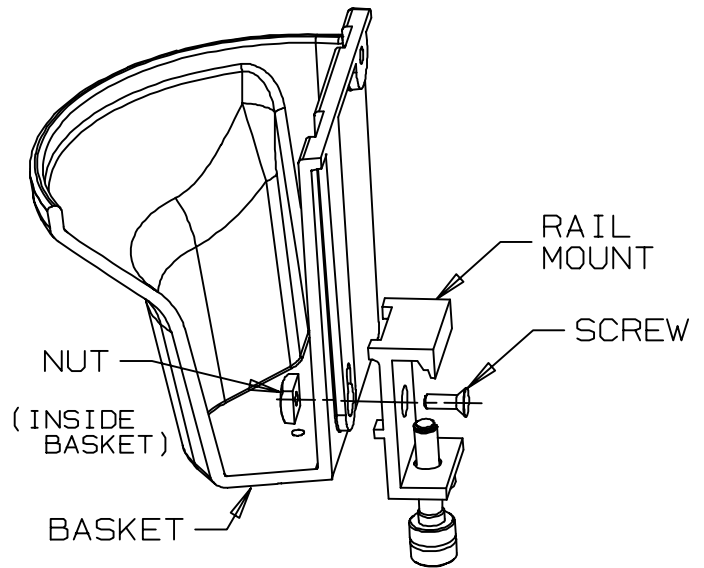




Tycos 7670-09
Rail Mount Kit
for
767 Wall Aneroid
Installation Instructions

Assemble parts as shown:

- 1) Place flat side of NUT in groove in basket. Position and hold NUT with hole aligned with hole in basket.
- 2) Place RAIL MOUNT on outside of BASKET and hold in place.
- 3) Insert SCREW through RAIL MOUNT and BASKET into NUT. Turn SCREW into NUT.
- 4) Slide RAIL MOUNT toward top of BASKET.
- 5) Tighten SCREW with hex wrench supplied.



Welch Allyn, Inc.
4341 State Street Road, Skaneateles Falls, NY USA

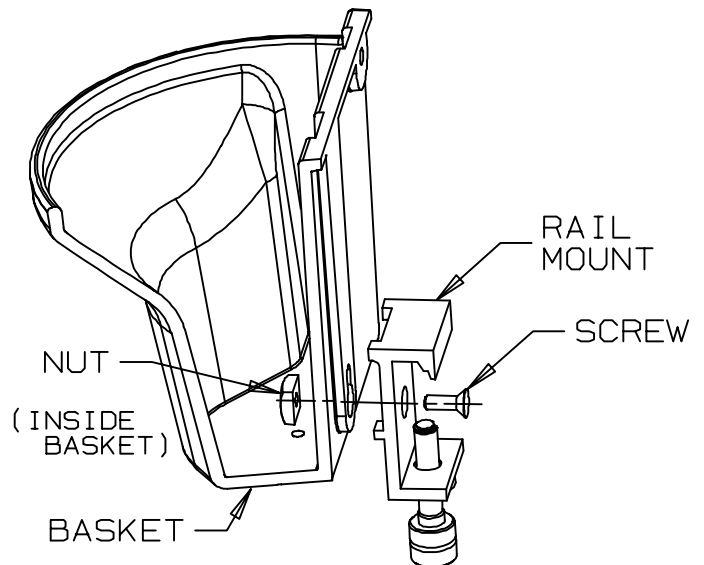
Printed in USA 95P404 Rev. F



Tycos 7670-09
Rail Mount Kit
for
767 Wall Aneroid
Installation Instructions

Assemble parts as shown:

- 1) Place flat side of NUT in groove in basket. Position and hold NUT with hole aligned with hole in basket.
- 2) Place RAIL MOUNT on outside of BASKET and hold in place.
- 3) Insert SCREW through RAIL MOUNT and BASKET into NUT. Turn SCREW into NUT.
- 4) Slide RAIL MOUNT toward top of BASKET.
- 5) Tighten SCREW with hex wrench supplied.



Welch Allyn, Inc.
4341 State Street Road, Skaneateles Falls, NY USA

Printed in USA 95P404 Rev. F