

Installation Guide

Mounting Adapter for Welch Allyn® 1500 Patient Monitor

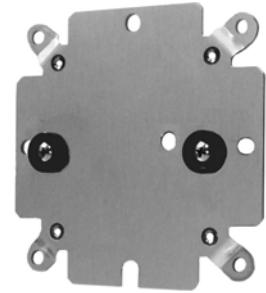
The purpose of this installation guide is to describe attachment of the Mounting Adapter to the Welch Allyn 1500 patient Monitor:

Parts Reference

The following parts are provided for this procedure (hardware not shown):

Item #	Description	Qty
1	Mounting Adapter	1
2	M4 x 8mm Pan Head Machine Screw (PHMS)	4

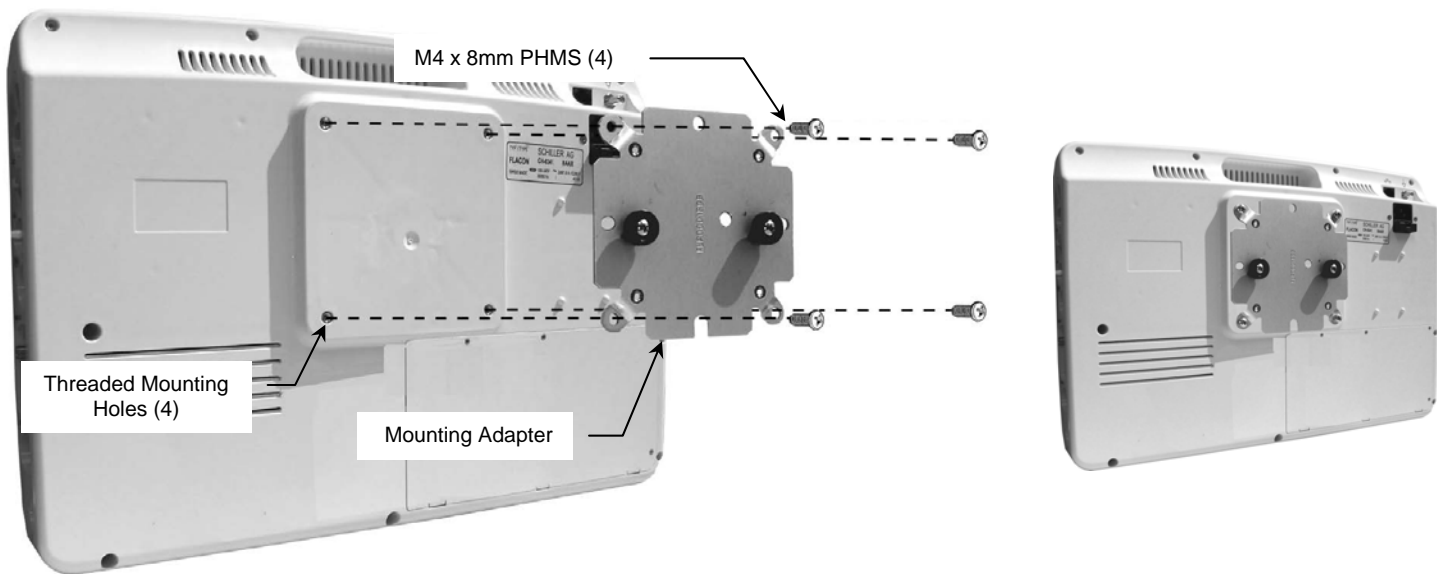
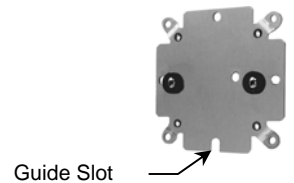
Tools Required: Phillips screwdriver (not provided).



Attaching Mounting Adapter to Monitor

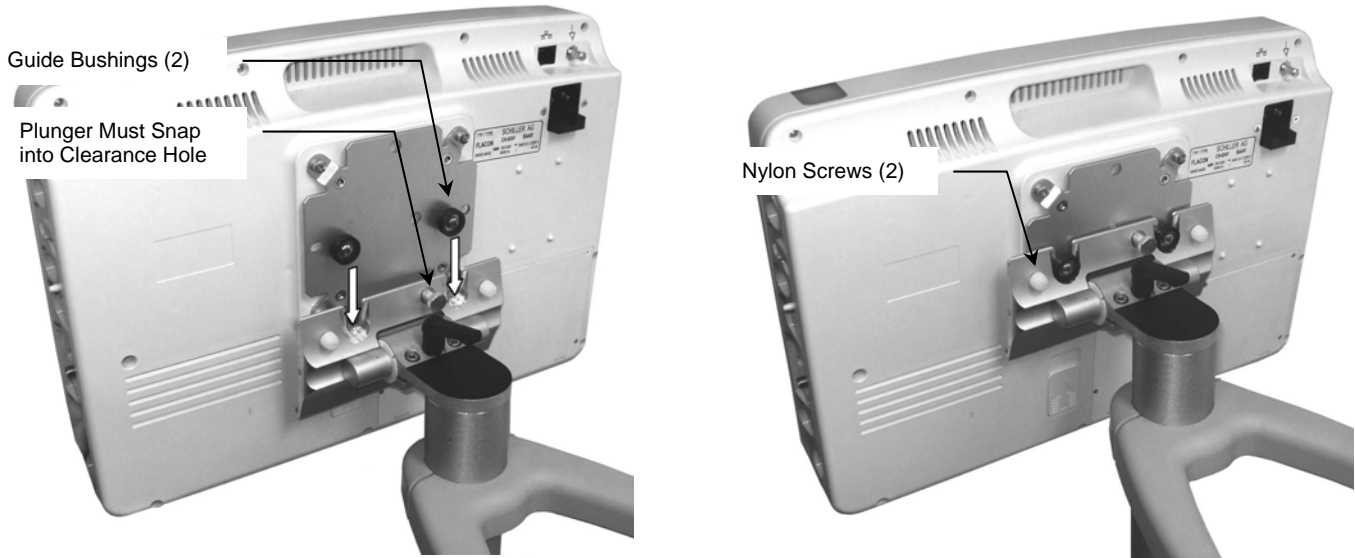
Installation Note: When Installing Mounting Adapter, Guide Slot must be positioned down.

1. Using a Phillips screwdriver, fasten Mounting Adapter to the four (4) threaded mounting holes on the back of the Monitor with four (4) M4 x 8mm PHMS (below left).



Mounting the Monitor

1. Lower Monitor with Mounting Adapter onto Mounting Plate by guiding the two (2) Guide Bushings into slots in Mounting Plate (below left). Plunger must snap into clearance hole to secure the monitor. Tighten by hand the two (2) pre-installed Nylon screws on the Mounting Plate to further secure the Monitor (below right). To remove Monitor, pull Plunger and lift.



Periodic Maintenance

All fasteners associated with the mounting system should be inspected periodically and tightened as necessary.

Cleaning the Mounting Assembly

1. The mounting assembly may be cleaned with most mild, non-abrasive solutions commonly used in the hospital environment (e.g. diluted bleach, ammonia, or alcohol solutions).

2. The surface finish will be permanently damaged by strong chemicals and solvents such as acetone or trichloroethylene.

3. Steel wool or other abrasive material should never be used.

4. Damage caused by the use of unapproved substances or processes will not be warranted. It is recommended that you test any cleaning solution on a small area of the arm that is not visible to verify compatibility.

5. Never submerge or allow liquids to enter the mounting assembly. Wipe any cleaning agents off the mounting assembly immediately, using a water-dampened cloth. Dry the mounting assembly thoroughly after cleaning.

CAUTION: GCX makes no claims regarding the efficacy of the listed chemicals or processes as a means for controlling infection. Consult your hospital's infection control officer or epidemiologist. To clean or sterilize mounted devices or accessory equipment, refer to the specific instructions delivered with those products.